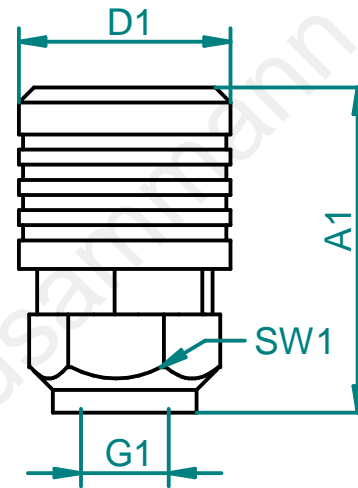


General tolerances ISO 2768-m						Index	Date	Visum	Modification	Index	Date	Visum	Modification
Basic-size	...6	> 6 ...30	> 30 ...120	>120 ...400	> 400 ...1000								
medium	±0.1	±0.2	±0.3	±0.5	±0.8								



Specifications points D,K,H	
D= doc.points	
K= critical	
H= main	

		Material:				
		Scale				
Accord-draw.no.: Origin-draw.no.: Replacement for:		<b>HAUSAMMANN</b> KOMONENTEN PRODUKTION SYSTEME	Date	Visum	Phone	
			plotted	03.04.12	E.Z	
			checked			
40.550			<b>Solid Edge</b>	Format <b>A4</b>	Index <b>00</b>	
© 2 012, Fuer dieses Dokument behalten wir uns alle Rechte vor.		© 2 012, Nous nous reservons tous les droits sur ce document		© 2 012, We reserve all rights in connection with this document		